



MEDICAL DEVICES

★ MANUAL FOR THE TECHNICIAN ★

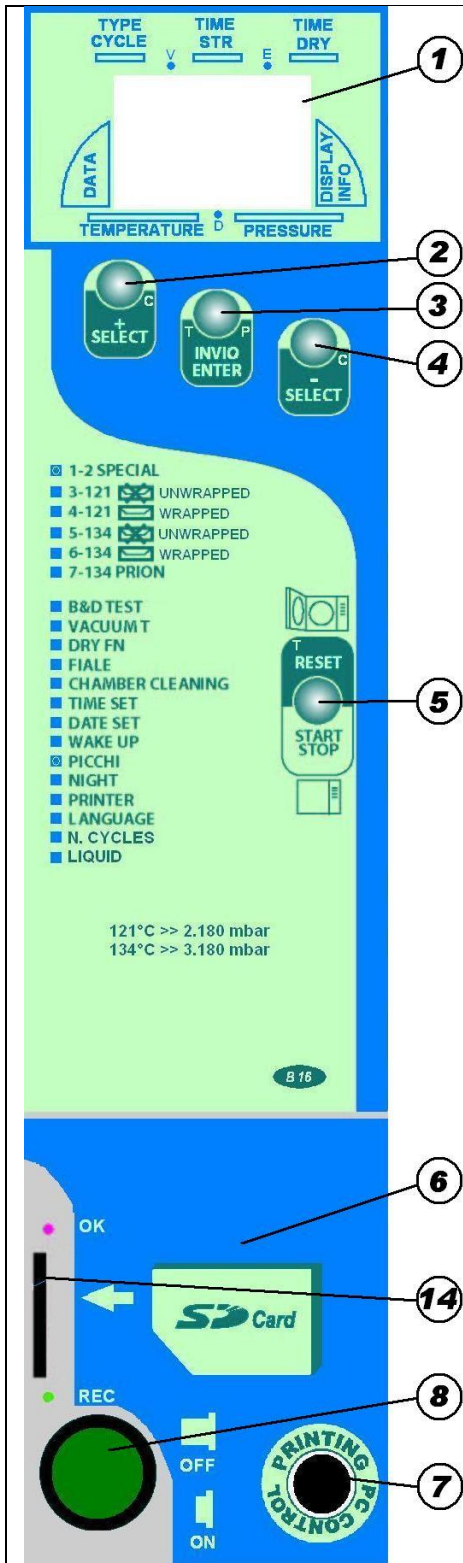
Language: English



STEAM STERILIZER

PRATIKA ECO

PROCEDURE TO RESET THE CHANGES MADE



- 1 – INFO DISPLAY
- 2 – INCREASE/MENU
- 3 – CONFIRM/ENTER
- 4 – DECREASE/MENU
- 5 – START-STOP CYCLE
- 6 – SILK SCREEN PRINTING
- 7 – PRINTER CONNECTION
- 8 – SWITCH
- 14 – SD CARD

PROCEDURE

1 – Machine Off , open door.

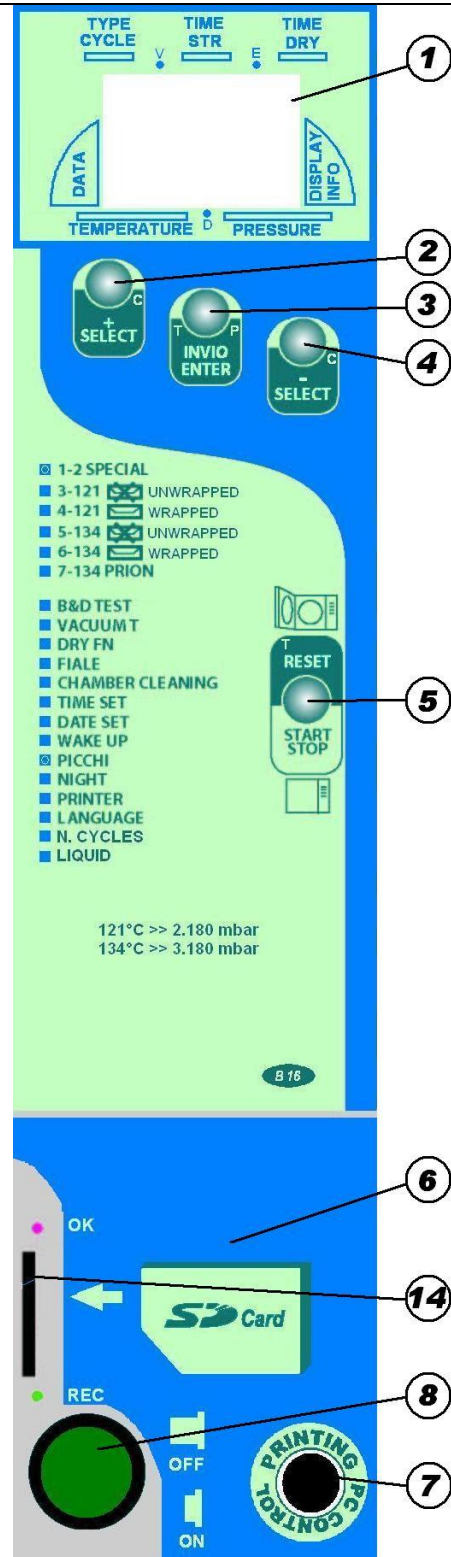
2 - While pressing the buttons ENTER / ENTER, SELECT and SELECT +-switch on the power switch green ON / OFF.

3 - This procedure eliminates any correction to the parameters and return values set by the manufacturer.

This is to be performed only in case of loss of the program by the machine.

TESTS

- 1- Machine off and open door.
- 2 - Press and hold START and ENTER buttons simultaneously turn the power switch green ON / OFF.
- 3 - When the machine is on, release the START and ENTER buttons together.
- 4 - If the operation was successful in the display will present the first row in the Italian alphabet, some numbers to the row II.
- 5° - With the buttons + SELECT and SELECT - you can change the values of the first line.
- 6° - Press ENTER / ENTER to activate the actuator described in the first row.



TOP LINE OF ACTUATORS POWERED AT 230V

s	c	a	r	i	c	o		Normally open condensate drain solenoid valve to be activated when the door is closed. Press the ENTER button to start

e	v		F	l	t			Solenoid valve bacterial filter. Press the ENTER button to start.

c	a	m	e	r	a			Hold the ENTER and verify if the chamber will be warm button down and check the input using a tester or using a digital thermometer placed on the bottom of the chamber, to check if the temperature rises.

p	.	c	a	m	e	r	a	Filling pump chamber. Press the ENTER button to start.

p	.	v	u	o	t	o		Vacuum pump. Press the ENTER button to start.

	e	v		3	v	i	e	Solenoid valve 3 vie. Press the ENTER button to enable.

MEANING OF BOTTOM LINE

	1	2	3			6	

1= Maximum water level not in tank

2= Minimum water level not in tank

3= Door open micro switch.

4= Water level not correct in boiler.

6= Built-in battery running.

To test the inputs of the bottom line, select the actuators of the top line using the + and - keys.

BOTTOM LINE, LOW VOLTAGE INPUTS

								Level Test. Numbers 1,2= Tank empty. Using the ENTER button, start the filling pump after connecting the coupling on the machine and the distilled water tank with the pipe supplied.
1	2	3	4	5	6	7	8	

								Minimum level reached and number 2 disappears.
1	2	3	4	5	6	7	8	





								Maximum level reached and number 1 disappears.
1	2	3	4	5	6	7	8	

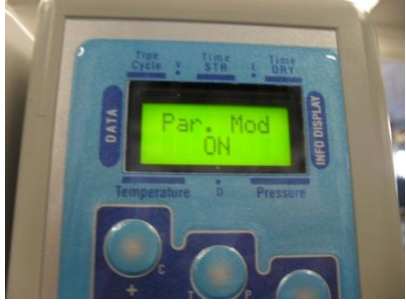
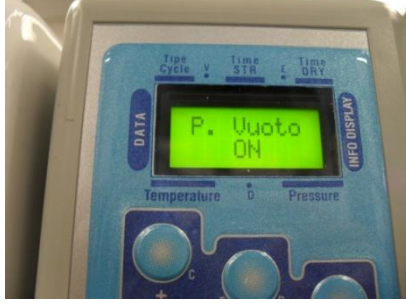

								Test "door lock open" micro switch. When number 3 is present, close the door and number 3 disappears.
1	2	3	4	5	6	7	8	

								Test boiler level. Position the indication "caldaia" (boliler) on the top line, press the ENTER button and wait for number 4 to disappear from the bottom line. The steam must be fully exhausted during the test. Once the steam ends, number 4 should appear.
1	2	3	4	5	6	7	8	

								Number 6 means that the time and date are working. If number 6 fails to appear, it means that the built-in battery has run low.
1	2	3	4	5	6	7	8	

ELECTRONIC CARD SETTING

<p>At power is displayed for a few seconds, the software version.</p>	 The image shows a close-up of the LCD display on a control panel. The display is green and shows the number '2.23' on the top line and 'E-Plus' on the bottom line. Below the display, the words 'Temperature' and 'Pressure' are visible, with a '0' between them.
<p>Data set can be varied by adjusting the + and – buttons. If you want to increase the temperature, you should set negative values (-1 ...); if you want to decrease the temperature you should set positive values (+). Press ENTER / ENTER to confirm and enter the next menu.</p>	 The image shows the LCD display with the text 'Adj Temp' on the top line and '- 1' on the bottom line. The display is green and the background is dark.
<p>Data set can be varied by adjusting the + and – buttons. If you want to increase the pressure, you should set negative values (-1 ...); if you want to decrease the pressure you should set positive values (+). Press ENTER / ENTER to confirm and enter the next menu.</p>	 The image shows the LCD display with the text 'Adj Pres' on the top line and '- 10' on the bottom line. The display is green and the background is dark. Above the display, there are labels for 'Type Cycle', 'Time STR', and 'Time DRY'.
<p>You can vary the acceleration of the power of resistance. The scale is from 1w to 2000w. Setting the manufacturer is 1000w</p>	 The image shows the LCD display with the text 'Pot. Res.' on the top line and '300' on the bottom line. The display is green and the background is dark. Above the display, there are labels for 'Type Cycle', 'Time STR', and 'Time DRY'.

<p>The data can be modified when it is ON. OFF means that the cycles 1 and 2 can not be changed by the operator.</p>	
<p>On this model the autoclave should ALWAYS be ON.</p>	
<p>The machine is set to a maximum drying temperature of 115 °. The supply of heat is a percentage and is editable. The variation of the pulses from 0 to 200. Press + to increase pulse and to decrease pulse press -. Return / Enter to confirm.</p>	



Warning: the first line of the display are described actuators, while the second shows the low voltage outputs.

SCARICO 1 2 3 6	Test solenoid boiling water 1-> LIV. MAX 3 -> DOOR SWITCH 2-> LIV. MIN 6 -> CONDENSER
EV 3 VIE	Solenoid pump and fun
P.VUOTO	Start vacuum pump
P.CAMERA	Start chambre pump
CAMERA	Heating element chamber
EV.FLT	Solenoid valve bacterial filter



Warning! In case of re-setting or replacing the electronic board, restore the values in the label on the back of the machine.





MEDICAL DEVICES



COMPANY WITH CERTIFICATE QUALITY
SYSTEM UNI EN ISO 9001 & EN 13485



Rev. 01 dd. 01-06-2012

Cod. 5216

SPARE PARTS

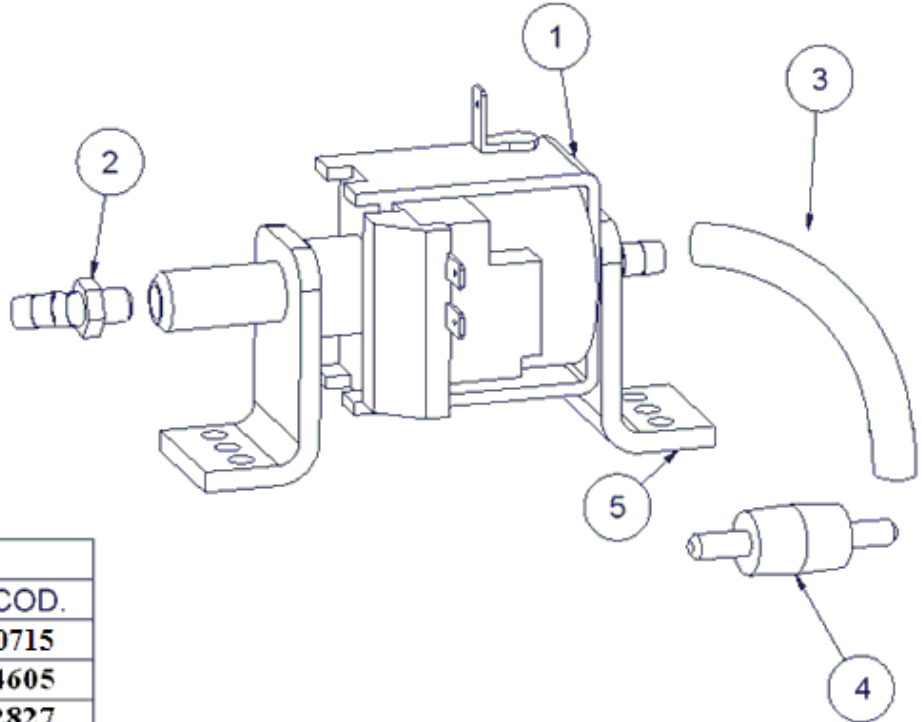
“PRATIKA B ECO 16-20”



WARNING: to require spare parts you should always communicate the serial number of the autoclave. Thanks.

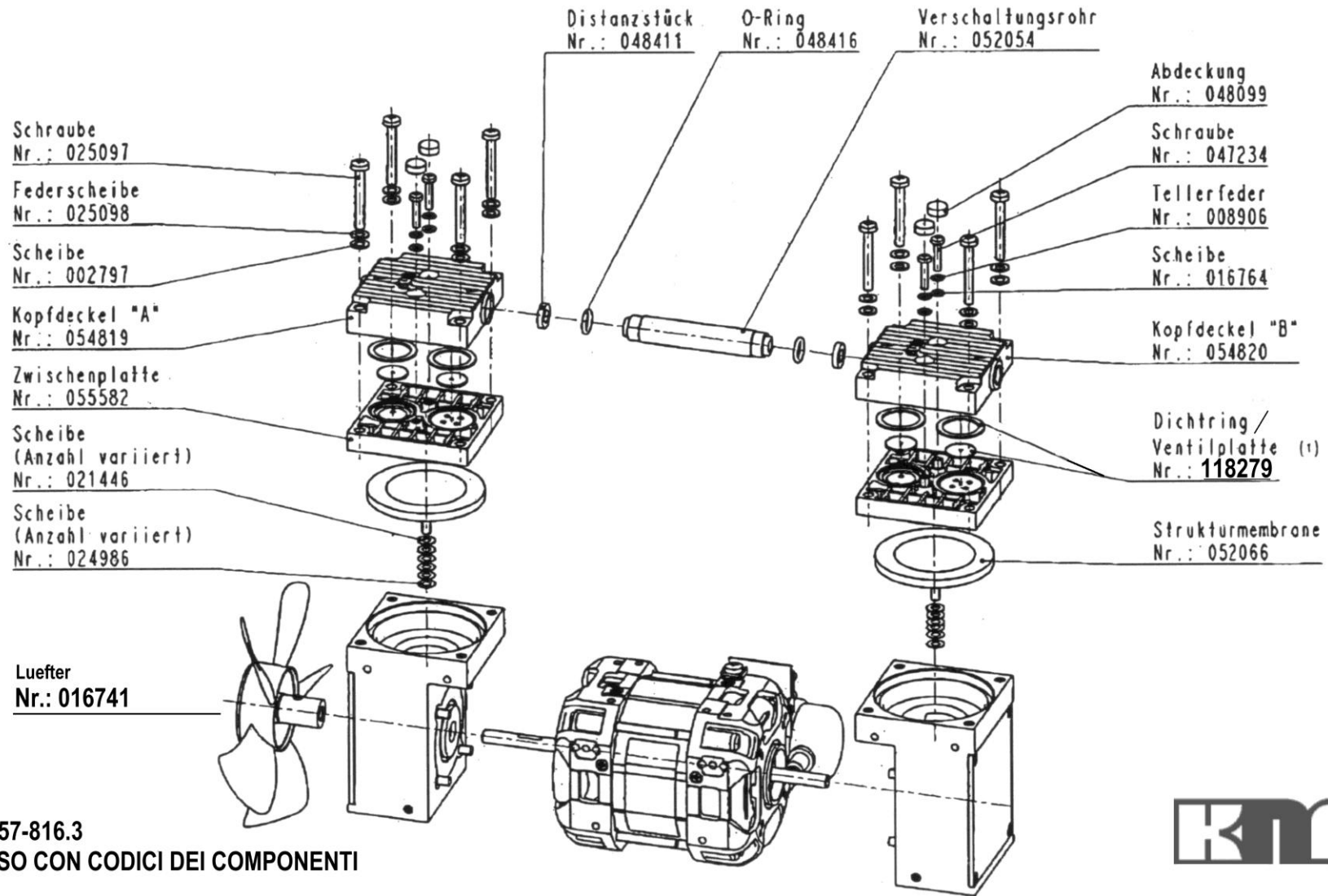
PARTS LIST			
NBR.	QT	DESCRIPTION	COD.
1	1	Door	1394
2	1	Registry washer	1407
3	1	Door controller	3099
4	1	Locking pin	1667
5	1	Arm support	1363
6	1	Arm oxidized	1688
7	1	Handle painted	3071
8	1	Screw M8x20	3017
9	3	Washer Ø 8.5	1879
10	1	Black silicon gasket	2889
11	2	Tension spring door	1406
12	1	Brass washer	3015
13	1	Calibrated plug 10x80	2936
14	2	Teflon bushing	2937
15	2	Screw M6x45	1016
16	2	Screw M8x8	1670
17	1	Screen printing handle	2843

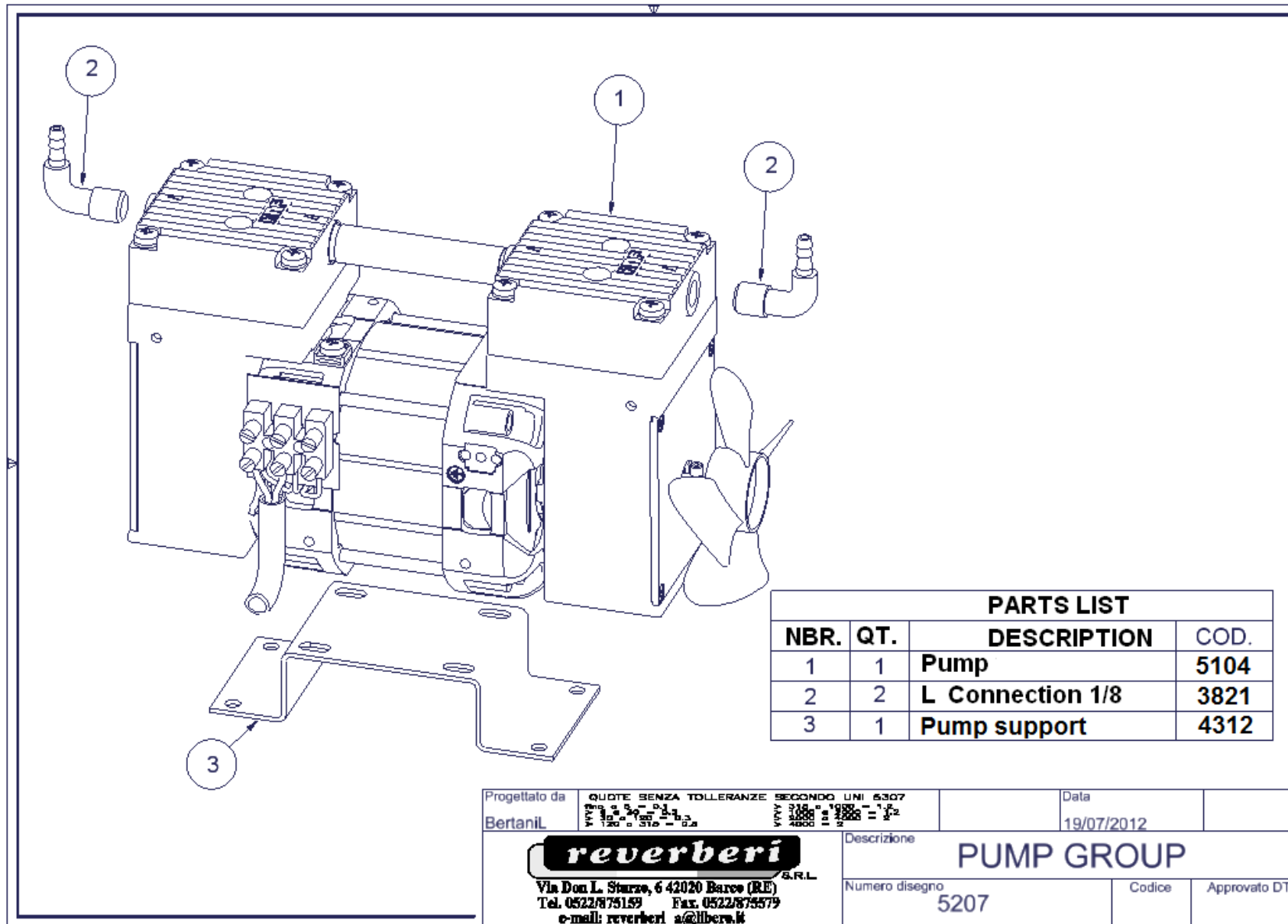
Progettato da LucaB	QUOTE SENZA TOLLERANZE SECONDO UNI 5307 V. 120 x 110 - 2,5 V. 150 x 100 - 1,2 V. 200 x 80 - 1,2	Data 25/10/2002
		CLOSING GROUP
Via Don L. Starna, 6 42020 Barco (RE) Tel. 0522/875159 Fax. 0522/875579 e-mail: reverberi_a@libero.it		2924 Edizione Foglio



PARTS LIST			
NBR.	QT.	DESCRIPTION	COD.
1	1	Pump vibration	0715
2	1	Connection 1/8	4605
3	1	Silicon tube 10x5	2827
4	1	Water filter Ø6	1484
5	2	Anti vibration L	3677

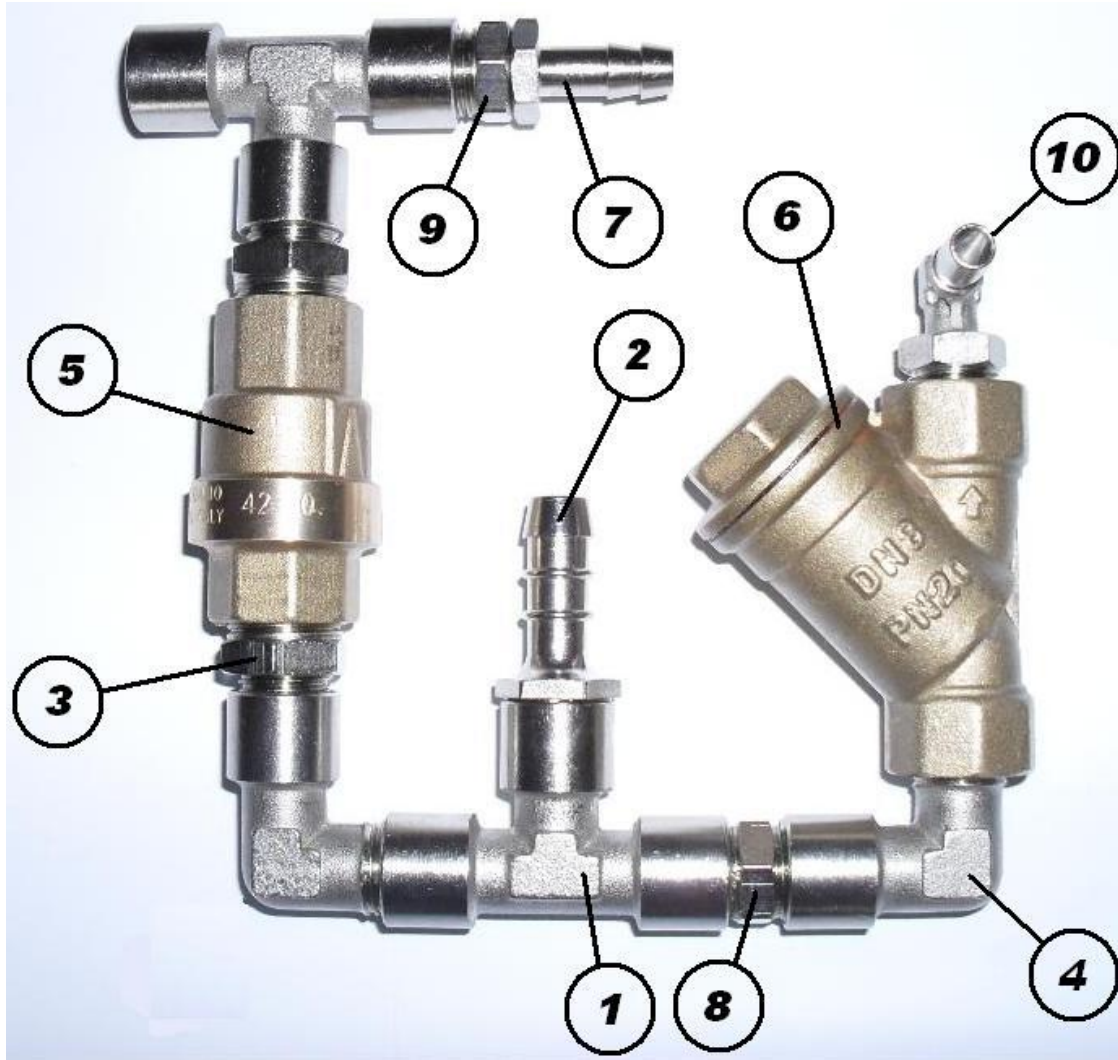
Progettato da LucaB	QUOTE SENZA TOLLERANZE SECONDO UNI 5307 VTT 7386 1 1888 1 1 2 VTT 8388 1 1888 1 1 2	Data 18-02-2015	
reverberi S.R.L. Via Don L. Sturzo, 6 42020 Barco (RE) Tel. 0522/875159 Fax. 0522/875579 e-mail: reverberi_a@libero.it		CHARGE PUMP	
5874		Edizione	Foglio



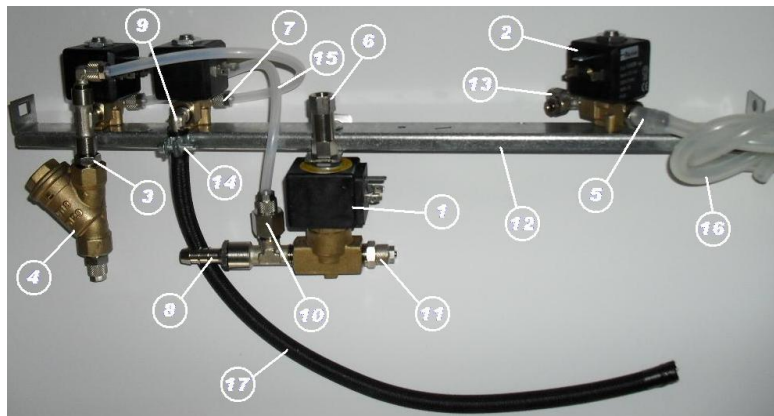


Progettato da BertaniL	QUOTE SENZA TOLLERANZE SECONDO UNI 5307 V.P. 100 300 100 100 120 0 110 0 0	DATA 19/07/2012	
		Descrizione PUMP GROUP	
Via Don L. Sturzo, 6 42020 Barco (RE) Tel. 0522/875159 Fax. 0522/875579 e-mail: reverberi_a@libero.it		Numero disegno 5207	Approvato DT

4819



Nr.	Cod.	Description	Q.ty
1	4377	T CONNECTION F. 1/4	2
2	4650	CONNECTION M 1/4	1
3	0289	CONNECTION 1/4 3/8	2
4	0258	CONNECTION L MF 1/4 5020	2
5	4778	CHECK VALVE EGB H151 3/8	1
6	3136	FILTER Y 1/4- DN8 PN20	1
7	3686	HOSE CONNECTION M CIL. 8 1/8	1
8	2945	CONNECTION 1/4 2000	1
9	0719	REDUCTION 2530 1/4 1/8	2
10	3821	HOSE CONNECTION M CON. 7 1/8	1

4820

Nr.	Cod.	Description	Q.ty
1	3246	SOLENOID VALVE NC 3 WAY	1
2	3028	SOLENOID VALVE NC	3
3	0523	CONNECTION 1/8 - 1/4	1
4	3136	FILTER Y 1/4- DN8 PN20	1
5	4610	HOSE CONNECTION M 1/8	1
6	2948	ONE WAY VALVE 1/8	1
7	3024	CONNECTION L M. 1/8	3
8	4650	HOSE CONNECTION M 1/4	1
9	3686	HOSE CONNECTION M CIL. 8	1

Nr.	Cod.	Description	Q.ty
10	0449	STRAIGHT CONNECTION F	1
11	0911	STRAIGHT CONNECTION M 1/4	1
12	3716	SOLENOID VALVES SUPPORT	1
13	4265	CONNECTION T 1/8	1
14	0109	BELT CLIPS	1
15	4822	SILICON HOSE 5 X 9	1
16	4823	SILICON HOSE 7 X 13	1
17	0142	BLACK STEAM HOSE	1
18	1452	CONNECTION T F 1/4	1

PARTS LIST			
NBR.	QT.	DESCRIPTION	COD.
1	1	Long boiler	2410
2	3	Boiler connection	2406
3	3	Galvanized ring 3/8	0905
4	4	Copper washer 3/8	0097
5	1	Water discharge	3228
6	1	Drain plug	3192
7	1	Heating element	4395
8	1	Boiler insulation	4202
9	1	Thermostat	4919
11	1	Probe Pt 100	2118
12	1	Aluminium band	3977

Progettato da LucaB	QUOTE SENZA TOLLERANZE SECONDO UNI 5657 www.reverberi.it	01-03-2011
		1° PHASE 16 Lt.
Via Don L. Sturzo, 6 42020 Barco (RE) Tel. 0522/875159 Fax. 0522/875579 e-mail: reverberi@libera.it		Edizione Foglio
4828		

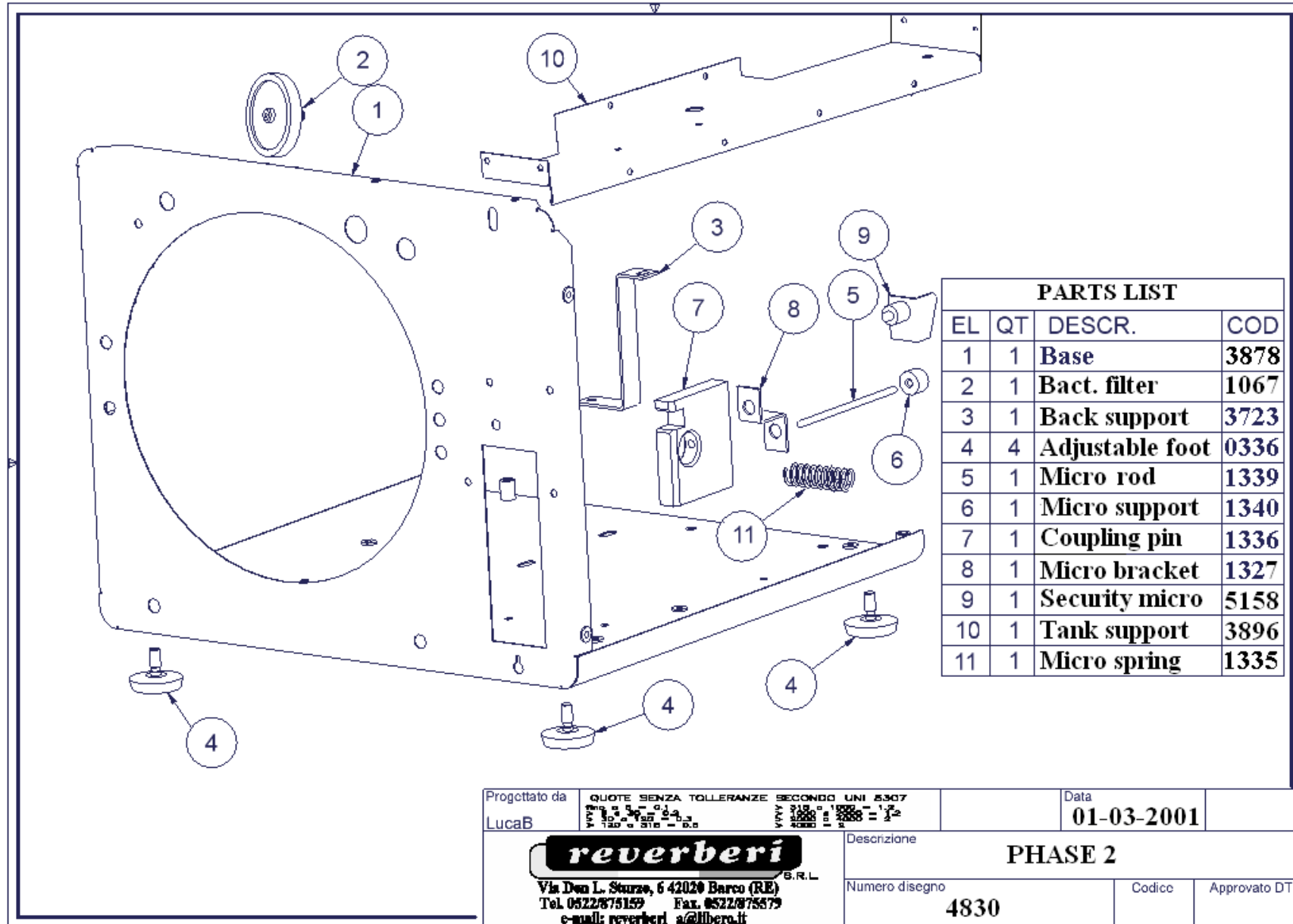
PARTS LIST			
NBR.	QT.	DESCRIPTION	COD.
1	1	Long boiler 20 Lt.	3698
2	3	Boiler connection	2406
3	3	Galvanized ring 3/8	0905
4	4	Copper washer 3/8	0097
5	1	Water discharge	3228
6	1	Drain plug	3192
7	1	Heating element 20 Lt.	4396
8	1	Boiler insulation 20 Lt.	4203
9	1	Thermostat	4919
11	1	Probe Pt 100	2118
12	1	Aluminium band 20 Lt.	3978

Progettato da LucaB	QUOTE SENZA TOLLERANZE SECONDO UNI EN ISO 9001:2008 	01-03-2011
		1° PHASE 20 Lt.
Via Don L. Sturzo, 6 42020 Barco (RE) Tel. 0522/875159 Fax. 0522/875579 e-mail: reverber_i@libera.it		Edizione Foglio
4829		

Elenco parti			
ELE	QT	DESCRIZIONE	COD.
1	1	Float level	3907
2	1	Capsule	3687
3	1	Fill tank	3671
4	1	Silicon pipe L=150	3770
5	1	Silicon pipe L=750	2956
6	1	Hose connector 1/8	3686

The diagram shows a cross-section of the autoclave's internal assembly. A float level (1) is positioned vertically within the fill tank (3). A capsule (2) is located at the top of the tank. A silicon pipe (4) connects the float level to the capsule. A second silicon pipe (5) is shown as a separate component, and a hose connector (6) is attached to the side of the tank.

Progettato da	QUOTE SENZA TOLLERANZE SECONDO UNI 5307	Data	
LucaB		01-03-2011	
reverberi S.R.L.		SERBATOIO CARICO	
Via Don L. Sturzo, 6 42020 Barco (RE) Tel. 0522/875159 Fax. 0522/875579 e-mail: reverberi_a@libero.it		4009	Edizione Foglio



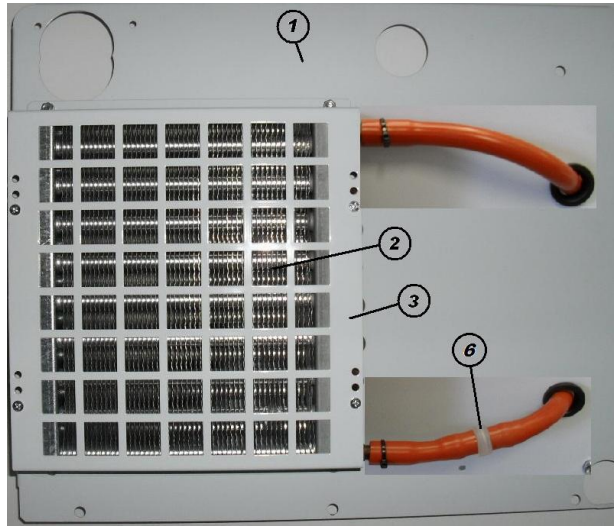
Progettato da LucaB	QUOTE SENZA TOLLERANZE SECONDO UNI 5307 P. 10.0 - 0.2 P. 12.0 - 0.3 P. 15.0 - 0.4 P. 20.0 - 0.5 P. 25.0 - 0.6 P. 30.0 - 0.8 P. 40.0 - 1.0 P. 50.0 - 1.2 P. 60.0 - 1.5 P. 80.0 - 2.0 P. 100.0 - 2.5	Data 01-03-2001
<p>Via Don L. Sturzo, 6 42020 Barco (RE) Tel. 0522/875159 Fax. 0522/875579 e-mail: reverberi_a@libero.it</p>		Descrizione PHASE 2
Numero disegno 4830		Codice Approvato DT

The drawing shows three components: 1. A cross connection with four ports (MF 1/4). 2. An L-shaped connection with two ports (MF 1/4). 3. A vertical security valve with a hexagonal top and a base.

PARTS LIST			
NBR.	QT.	DESCRIPTION	COD.
1	1	Cross connection MF 1/4	0867
2	1	L connection MF 1/4	0258
3	1	Security valve 2,5 bar	5055

Progettato da LucaB	QUOTE SENZA TOLLERANZE SECONDO UNI 5307 E 1000 1000 - 1000 - 1000 E 1000 1000 - 1000 - 1000	Data 25-01-2012
		Descrizione SECURITY VALVE GROUP
Via Don L. Sturzo, 6 42020 Barco (RE) Tel. 0522/875159 Fax. 0522/875379 e-mail: reverberi_a@libero.it		Numero disegno FASE 2 II°
		Codice Approvato DT

4816



Nr.	Cod.	Descrizione	Q.tà
1	4794	BACK PANNEL	1
2	4360	RADIATOR	1
3	4817	RADIATOR GRATE	1
4	0268	PVC CABLE Ø15	2
5	4361	RADIATOR FAN	1
6	5406	WATER FILTER	1

PARTS LIST			
NBR.	QT.	DESCRIPTION	COD.
1	1	Lower Serigraph	4922
2	1	Bipolar green	1672
3	8	Screw M3x16	1831
4	1	Plastic pannel	3842
5	1	Electronic board	5204
8	1	Printer cable	4894
9	1	Serigraph	4862
13	1	Triak	2857

Progettato da LucaB	QUOTE SENZA TOLLERANZE SECONDO UNI 5307 mm 0,1 - 0,2 - 0,3 - 0,5 - 1 - 1,5 - 2 - 3 - 4 - 5 - 6 - 8 - 10 - 12 - 15 - 20 - 25 - 30 - 40 - 50 - 60 - 80 - 100 mm 0,1 - 0,2 - 0,3 - 0,5 - 1 - 1,5 - 2 - 3 - 4 - 5 - 6 - 8 - 10 - 12 - 15 - 20 - 25 - 30 - 40 - 50 - 60 - 80 - 100	Data 01-03-2011
reverberi G.R.L. Via Don L. Scurzo, 6 42020 Barco (RE) Tel. 0522/875159 Fax. 0522/875379 e-mail: reverberi_a@libero.it		Descrizione CONTROL PANEL
Numero disegno 5205		Codice Approvato DT

